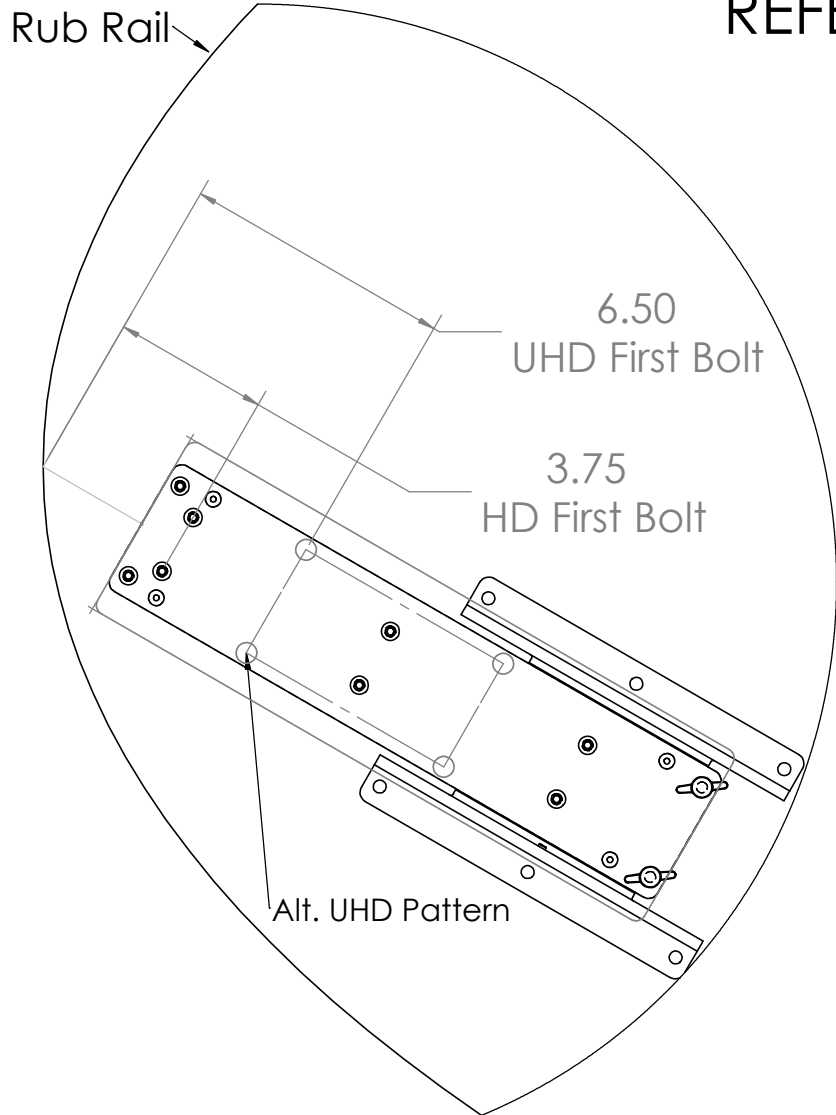
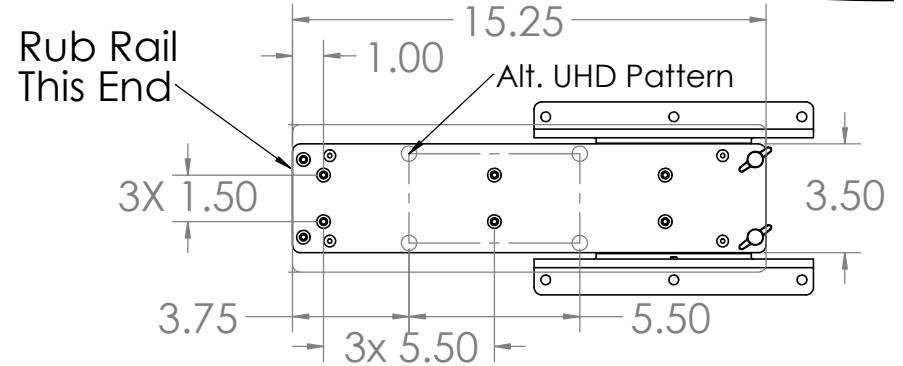
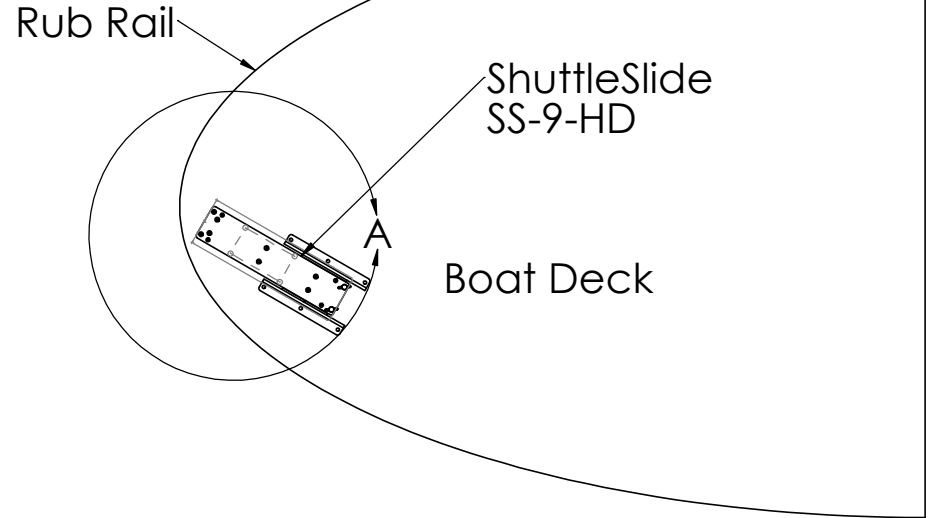


REFERENCE ONLY



DETAIL A
SCALE 1 : 3



PROPRIETARY AND CONFIDENTIAL
THE INFORMATION CONTAINED IN THIS DRAWING IS THE SOLE PROPERTY OF SHUTTLESIDE LLC. ANY REPRODUCTION IN PART OR AS A WHOLE WITHOUT THE WRITTEN PERMISSION OF SHUTTLESIDE LLC IS PROHIBITED.

		UNLESS OTHERWISE SPECIFIED:		NAME		DATE		ShuttleSlide LLC	
		DIMENSIONS ARE IN INCHES		DRAWN		RT			
		TOLERANCES:		CHECKED				TITLE:	
		FRACTIONAL ±		ENG APPR.					
		ANGULAR: MACH ±		MFG APPR.					
		TWO PLACE DECIMAL ±.01		Q.A.					
		THREE PLACE DECIMAL ±.005		COMMENTS:		2/14/21: Added UHD bolt pattern			
		INTERPRET GEOMETRIC TOLERANCING PER:		FINISH		DO NOT SCALE DRAWING		Info: support@shuttleslide.com	
		MATERIAL		APPLICATION				SCALE: 1:1	
		SEE NOTES		USED ON				WEIGHT:	
		SEE NOTES						SHEET 1 OF 1	

SIZE **B** DWG. NO. **Mounting_Dimensions** REV **A**